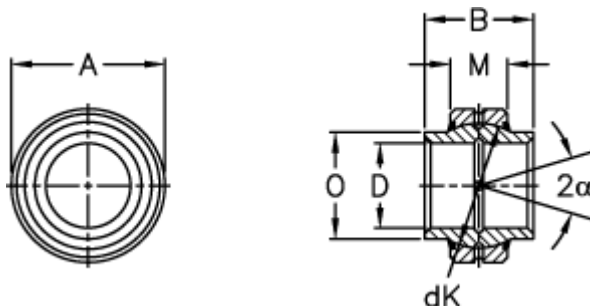


Article number: 03503050

Description: Fluro Rod end GE 50HO-2RS

Measures



A	= 75 0 -0,013	Tilt angle = 3
B	= 43	Weight = 550
D	= 50 0 -0,012	
dK	= 66	
Dynamic load C (kN)	= 156	
M	= 28	
O	= 56.5	
Static load C0 (kN)	= 780	